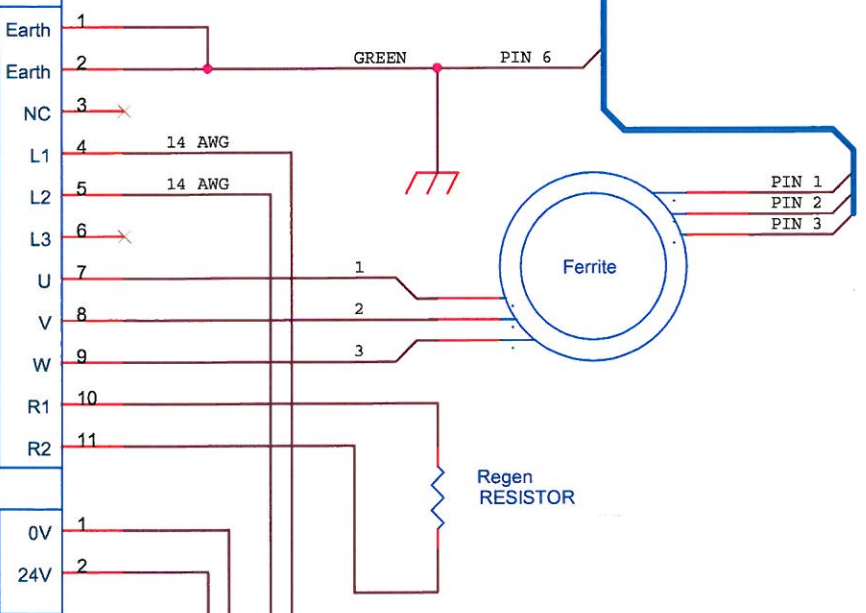
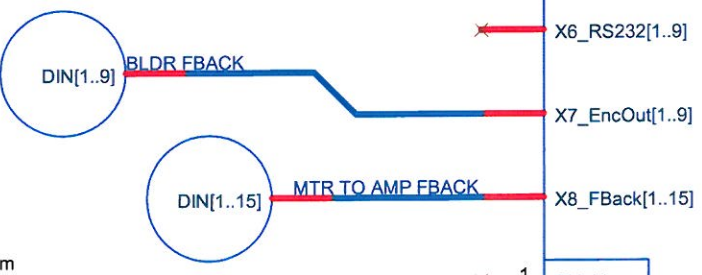
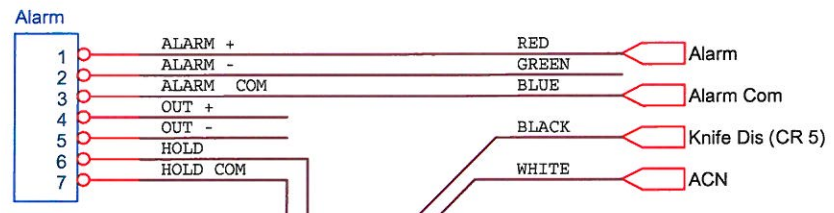
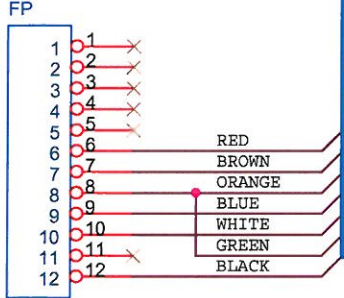
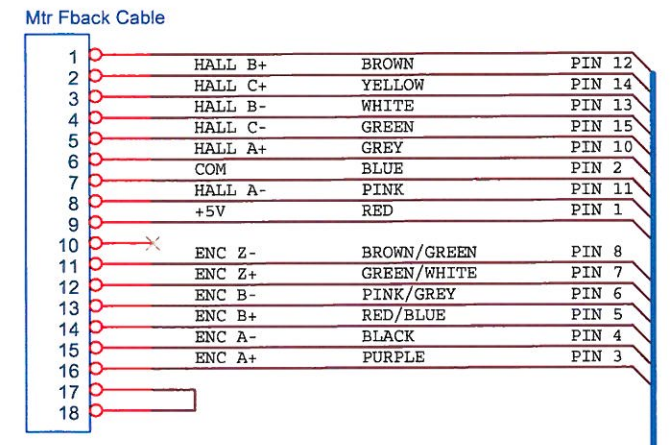
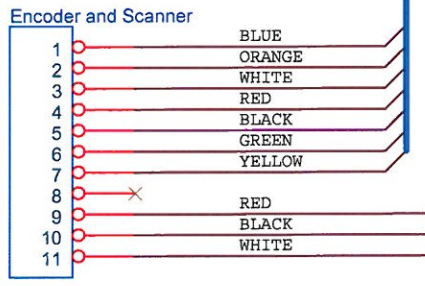
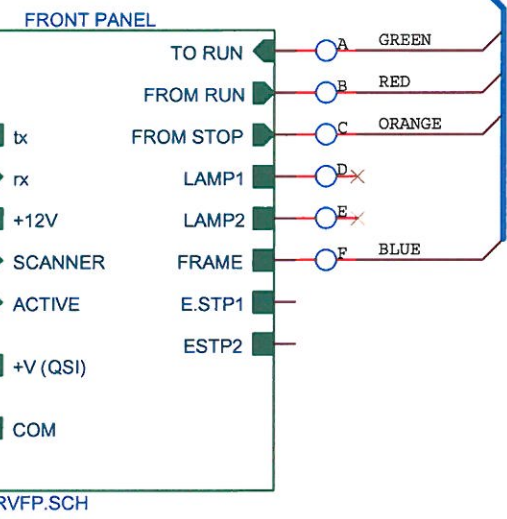
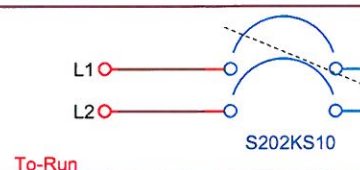
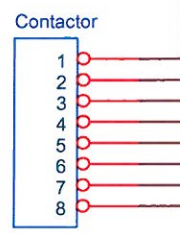
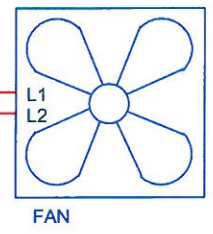
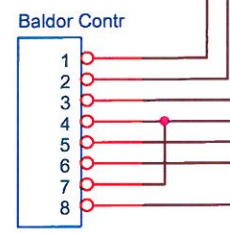
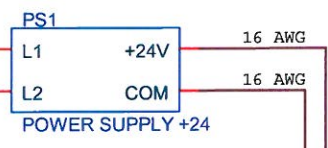


Alpha 5466

POWER  
1  
2  
3  
4  
5  
6  
7  
8  
9  
10  
11  
12  
13  
14



Jump 1 to 2  
and 3 to 4 on PCB  
Bridge Rectifier



Title		
B&H Labeler Schematic		
Size	Document Number	Rev
B	A120	A
Date:	Tuesday, June 03, 2014	Sheet 1 of 1